

Breitflanschträger S 235 JRG 2 (ST 37.2)

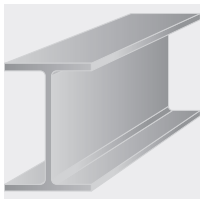
IPB-HEB, EN 10025 (Din 1025), Blatt 2

| HEB | kg/mtr | Art.Nr. |
|-----|--------|-----------|
| 100 | 20,90 | 141010 00 |
| 120 | 27,40 | 141020 00 |
| 140 | 34,50 | 141030 00 |
| 160 | 43,70 | 141040 00 |
| 180 | 52,50 | 141050 00 |
| 200 | 63,00 | 141060 00 |
| 220 | 73,00 | 141070 00 |
| 240 | 85,00 | 141080 00 |
| 260 | 95,00 | 141090 00 |
| 280 | 106,00 | 141100 00 |
| 300 | 120,00 | 141110 00 |
| 320 | 130,00 | 141120 00 |

| HEB | kg/mtr | Art.Nr. |
|------|--------|-----------|
| 340 | 137,00 | 141130 00 |
| 360 | 146,00 | 141140 00 |
| 400 | 159,00 | 141150 00 |
| 450 | 175,00 | 141160 00 |
| 500 | 192,00 | 141170 00 |
| 550 | 204,00 | 141180 00 |
| 600 | 217,00 | 141190 00 |
| 650 | 231,00 | 141200 00 |
| 700 | 247,00 | 141210 00 |
| 800 | 269,00 | 141210 05 |
| 900 | 298,00 | 141210 15 |
| 1000 | 322,00 | 141210 25 |

Breitflanschträger S 235 JRG 2 (ST 37.2)

IPBL-HEA, EN 10025 (Din 1025), Blatt 3



| HEA | kg/mtr | Art.Nr. |
|-----|--------|-----------|
| 100 | 17,100 | 141250 00 |
| 120 | 20,400 | 141260 00 |
| 140 | 25,300 | 141270 00 |
| 160 | 31,200 | 141280 00 |
| 180 | 36,400 | 141290 00 |
| 200 | 43,000 | 141300 00 |
| 220 | 52,000 | 141310 00 |
| 240 | 62,000 | 141320 00 |
| 260 | 70,000 | 141330 00 |

| HEA | kg/mtr | Art.Nr. |
|-----|--------|-----------|
| 280 | 78 | 141340 00 |
| 300 | 90 | 141350 00 |
| 320 | 100 | 141360 00 |
| 340 | 108 | 141370 00 |
| 360 | 115 | 141380 00 |
| 400 | 128 | 141390 00 |
| 450 | 143 | 141400 00 |
| 500 | 159 | 141410 00 |

Breitflanschträger S 235 JRG 2 (ST 37.2)

IPBV-HEM, EN 10025 (Din 1025), Blatt 4



| HEM | kg/mtr | Art.Nr. |
|-----|---------|-----------|
| 100 | 42,800 | 146010 00 |
| 120 | 53,400 | 146020 00 |
| 140 | 64,800 | 146030 00 |
| 160 | 78,100 | 146040 00 |
| 180 | 91,100 | 146050 00 |
| 200 | 106,000 | 146060 00 |

| HEM | kg/mtr | Art.Nr. |
|-----|---------|-----------|
| 220 | 120,000 | 146070 00 |
| 240 | 161,000 | 146080 00 |
| 260 | 176,000 | 146090 00 |
| 280 | 194,000 | 146100 00 |
| 300 | 244,000 | 146110 00 |

Formstahl S 235 JRG 2 (ST 37.2)

IPE, EN 10025 (DIN 1025), Blatt 5

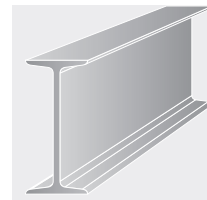
| ipe | kg/mtr | Art.Nr. | ipe | kg/mtr | Art.Nr. |
|-----|--------|-----------|-----|--------|-----------|
| 80 | 6,200 | 144010 00 | 240 | 31,500 | 144090 00 |
| 100 | 8,300 | 144020 00 | 270 | 37,000 | 144100 00 |
| 120 | 10,700 | 144030 00 | 300 | 43,300 | 144110 00 |
| 140 | 13,200 | 144040 00 | 330 | 50,400 | 144120 00 |
| 160 | 16,200 | 144050 00 | 360 | 58,600 | 144130 00 |
| 180 | 19,300 | 144060 00 | 400 | 68,000 | 144140 00 |
| 200 | 23,000 | 144070 00 | 450 | 80,000 | 144150 00 |
| 220 | 26,900 | 144080 00 | 500 | 93,000 | 144160 00 |



Formstahl S 235 JRG 2 (ST 37.2)

INP, EN 10025 (DIN 1025), Blatt 1

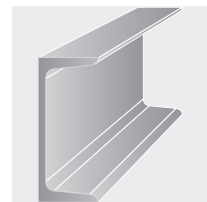
| inp | kg/mtr | Art.Nr. | inp | kg/mtr | Art.Nr. |
|-----|--------|-----------|-----|--------|-----------|
| 80 | 6,100 | 142010 00 | 200 | 27 | 142070 00 |
| 100 | 8,500 | 142020 00 | 220 | 32 | 142080 00 |
| 120 | 11,500 | 142030 00 | 240 | 37 | 142090 00 |
| 140 | 14,700 | 142040 00 | 300 | 56 | 142120 00 |
| 160 | 18,500 | 142050 00 | 400 | 95 | 142160 00 |
| 180 | 22,500 | 142060 00 | | | |



Formstahl S 235 JRG 2 (ST 37.2)

U-Stahl Rundkantig (UNP), EN 10025 (DIN 1026)

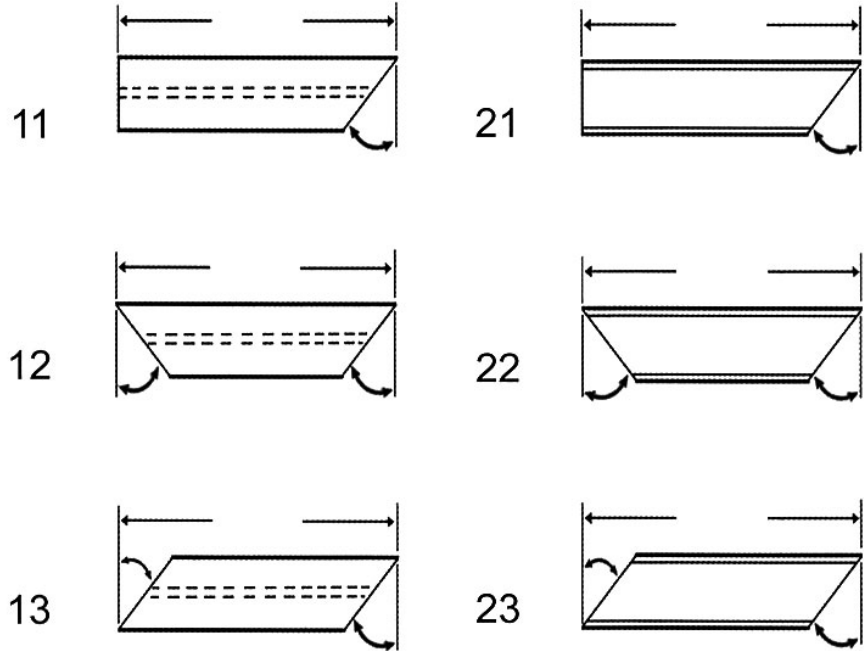
| unp | kg/mtr | Art.Nr. | unp | kg/mtr | Art.Nr. |
|-----|--------|-----------|-----|--------|-----------|
| 80 | 8,900 | 143010 00 | 240 | 34 | 143090 00 |
| 100 | 10,900 | 143020 00 | 260 | 39 | 143100 00 |
| 120 | 13,700 | 143030 00 | 280 | 43 | 143110 00 |
| 140 | 16,400 | 143040 00 | 300 | 48 | 143120 00 |
| 160 | 19,300 | 143050 00 | 320 | 61 | 143130 00 |
| 180 | 22,500 | 143060 00 | 350 | 62 | 143140 00 |
| 200 | 26,000 | 143070 00 | 380 | 65 | 143150 00 |
| 220 | 30,000 | 143080 00 | 400 | 74 | 143160 00 |



Schnittschema I - Träger (INP/IPE/HEB/HEA/HEM)

Schnittschema für Gehrungs-
schnitte maximal 60°.
Grundriß, Träger von oben
betrachtet.

Bitte bei Bestellung Nummer
mit angeben.



Schnittschema UNP - Träger

Schnittschema für Gehrungs-
schnitte maximal 60°.
Grundriß, Träger von oben
betrachtet.

Bitte bei Bestellung Nummer
mit angeben.

